



### RATINGS AND DATA

Shell Diameter : 54"  
 Gross Output - BHP : 100  
 Gross Output - MBH : 3348  
 Gross Output - Lbs/Hr : 3450  
 Net Rating - MBH : 2599  
 Net Rating - Sq. Ft. : 10829  
 Safety Valve - Lbs/Hr. : 3906

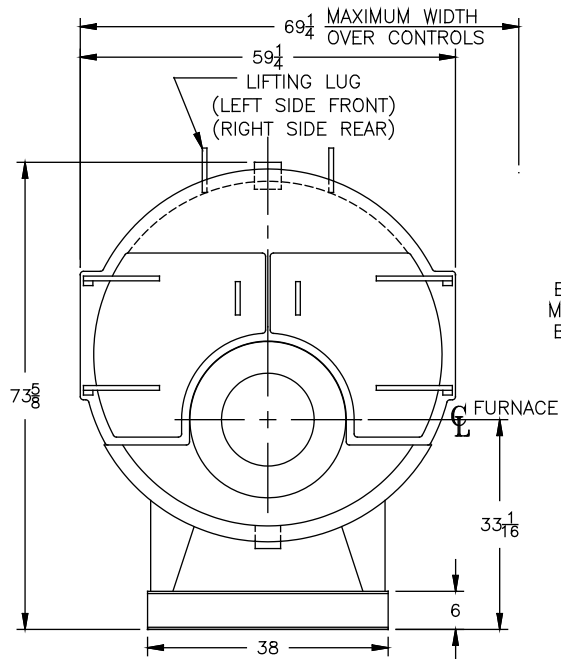
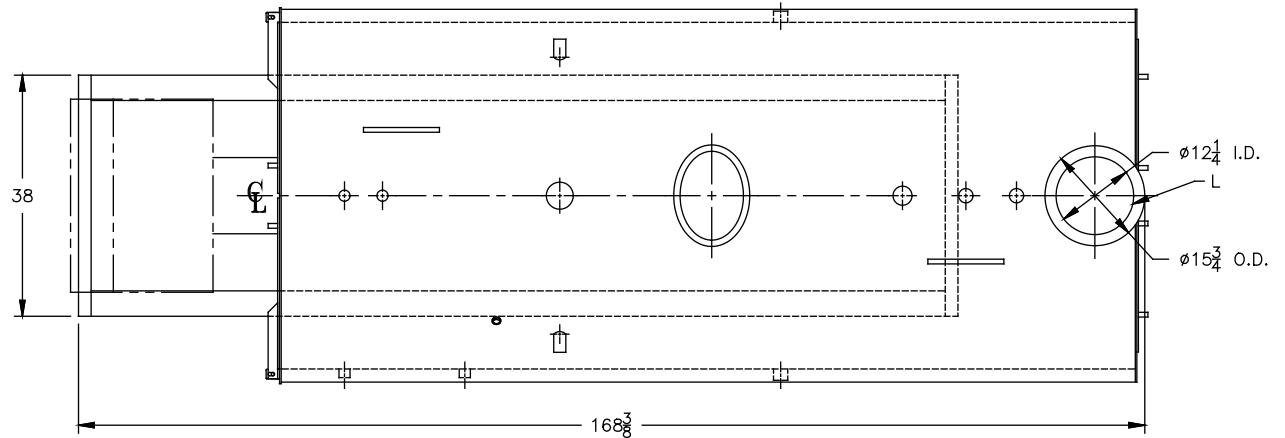
Heating Surface - Sq. Ft.  
 Fireside - 500  
 Firetubes  
 Number - 106  
 Diameter - 2" O.D.

Firing Rate  
 1000 BTU Gas (MBH) - 4184  
 140000 BTU/Gal Oil (GPH) - 29.9  
 150000 BTU/Gal Oil (GPH) - 27.9

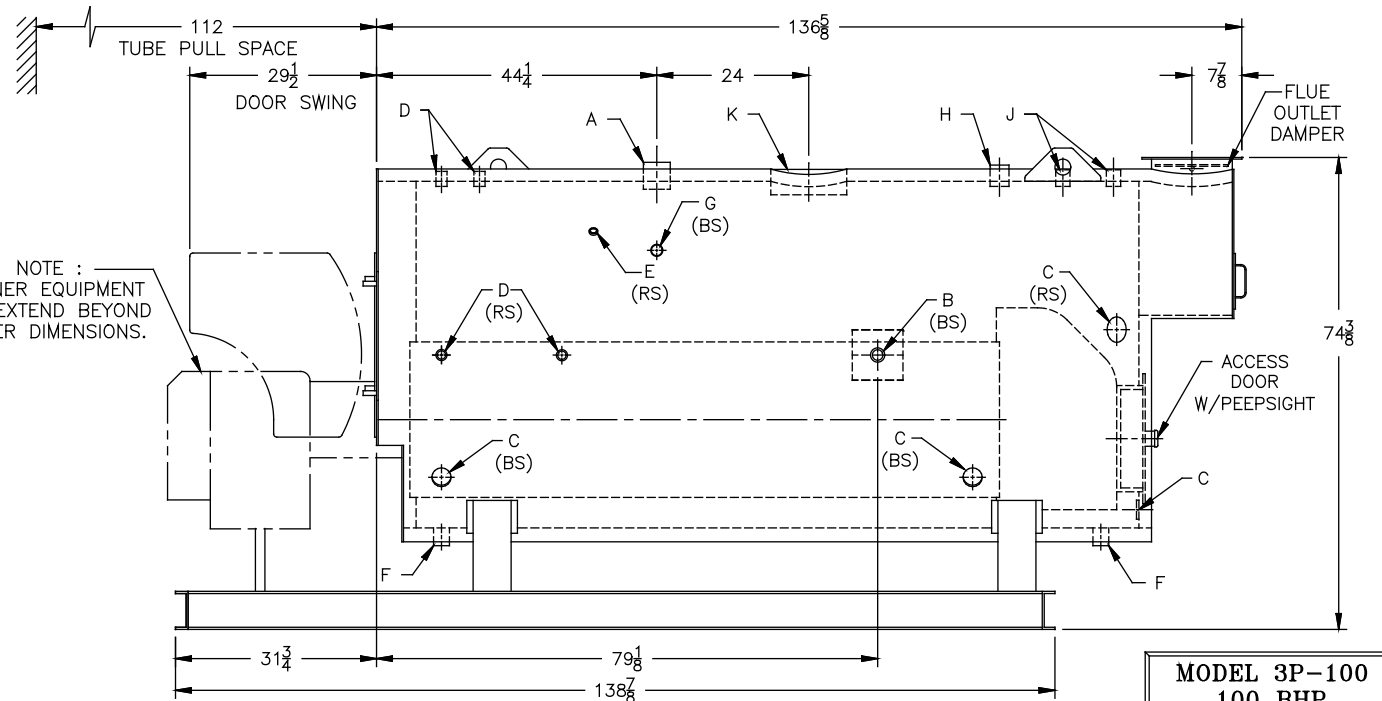
Water Content  
 Pounds - 5200  
 Gallons (U.S.) - 623  
 Approximate Weight/LBS.  
 Dry - 7700  
 Wet - 12900

### LEGEND CONNECTIONS

- A = 3" SUPPLY
- B = 1-1/4" RETURN
- C = 3" x 4" HANDHOLE
- D = 1" WATER COLUMN
- E = 3/4" AQUASTAT
- F = 1-1/2" BOTTOM BLOWDOWN
- G = 1-1/2" SURFACE BLOWOFF
- H = 2" AUXILIARY CONNECTION
- J = 1-1/4" SAFETY VALVE (2)
- K = 12" X 16" MANHOLE
- L = 12" NOMINAL FLUE DIAMETER



NOTE :  
 BURNER EQUIPMENT  
 MAY EXTEND BEYOND  
 BOILER DIMENSIONS.



**MODEL 3P-100**  
**100 BHP**  
**150 PSI STEAM**

SPECIFICATIONS SUBJECT TO CHANGE WITHOUT NOTICE  
 ALL CONNECTIONS ARE THREADED UNLESS OTHERWISE SPECIFIED