



RATINGS AND DATA

Shell Diameter : 48"
 Gross Output - BHP : 60
 Gross Output - MBH : 2009
 Gross Output - Lbs/Hr : 2070
 Net Rating - MBH : 1560
 Net Rating - Sq. Ft. : 6500
 Safety Valve - Lbs/Hr. : 2343

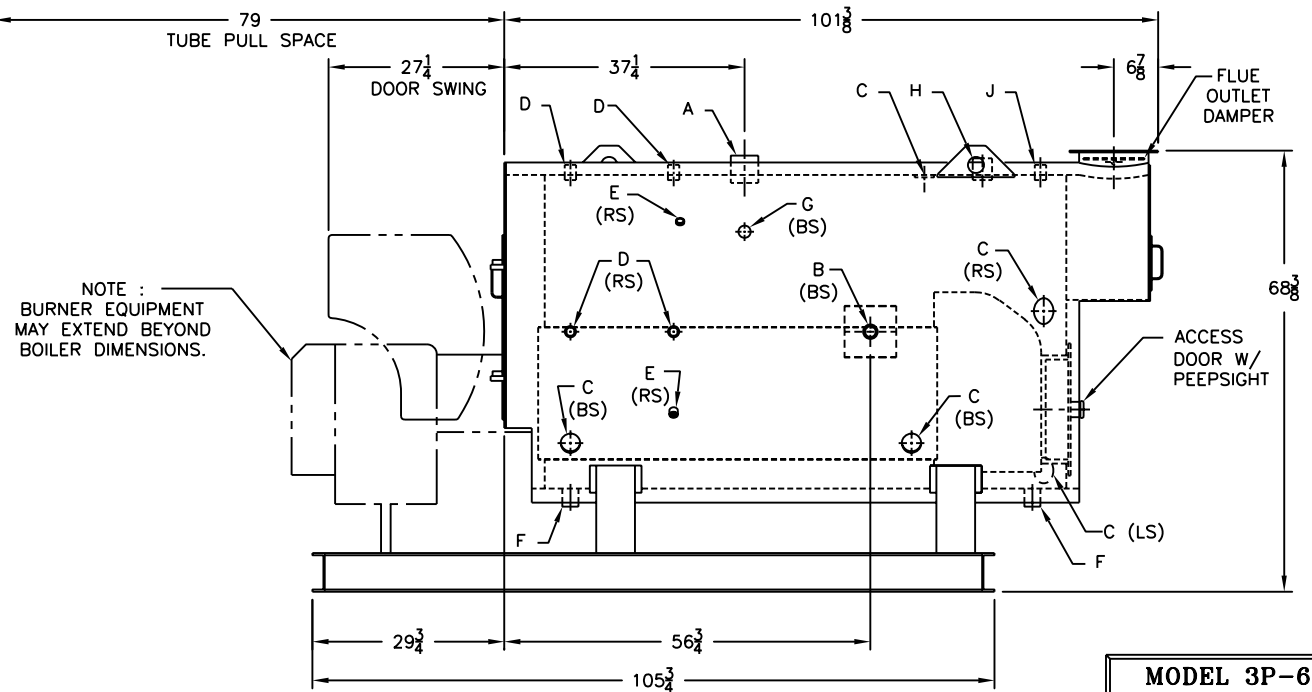
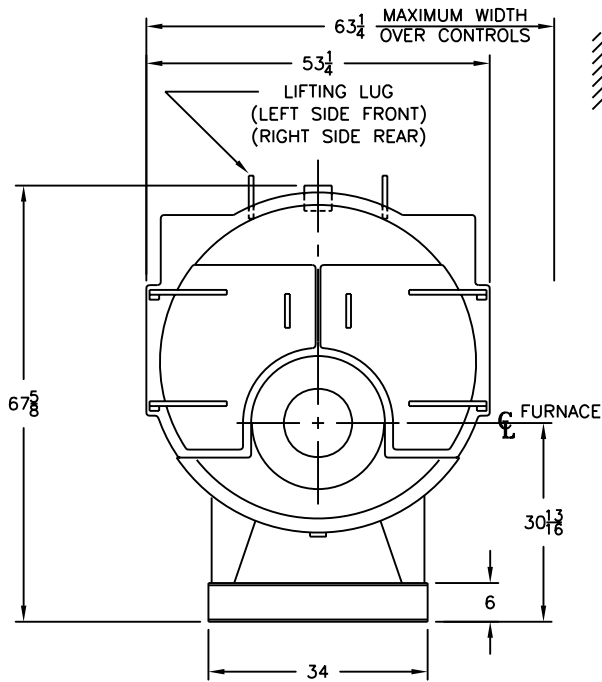
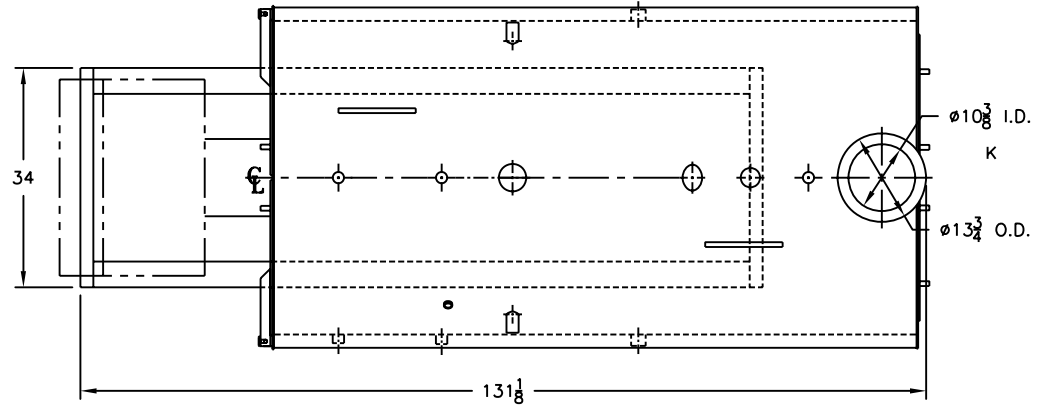
Heating Surface - Sq. Ft.
 Fireside - 300
 Firetubes
 Number - 92
 Diameter - 2" O.D.

Firing Rate
 1000 BTU Gas (MBH) - 2511
 140000 BTU/Gal Oil (GPH) - 17.9
 150000 BTU/Gal Oil (GPH) - 16.7

Water Content
 Pounds - 2948
 Gallons (U.S.) - 354
 Approximate Weight/LBS.
 Dry - 5200
 Wet - 8148

LEGEND CONNECTIONS

- A = 3" SUPPLY
- B = 1-1/4" RETURN
- C = 3" x 4" HANDHOLE
- D = 1" WATER COLUMN
- E = 3/4" AQUASTAT
- F = 1-1/2" BOTTOM BLOWDOWN
- G = 1-1/2" SURFACE BLOWOFF
- H = 2" AUXILIARY CONNECTION
- J = 1" SAFETY VALVE
- K = 10" NOMINAL FLUE DIAMETER



NOTE :
 BURNER EQUIPMENT
 MAY EXTEND BEYOND
 BOILER DIMENSIONS.

MODEL 3P-60
60 BHP
150 PSI STEAM

SPECIFICATIONS SUBJECT TO CHANGE WITHOUT NOTICE ALL CONNECTIONS ARE THREADED UNLESS OTHERWISE SPECIFIED
 THIS DOCUMENT CONTAINS CONFIDENTIAL INFORMATION WHICH IS THE PROPERTY OF BURNHAM COMMERCIAL. THIS DOCUMENT MAY NOT BE REPRODUCED, TRANSFERRED OR USED, OR ITS CONTENTS DISCLOSED, WITHOUT THE WRITTEN PERMISSION OF THE OWNER.